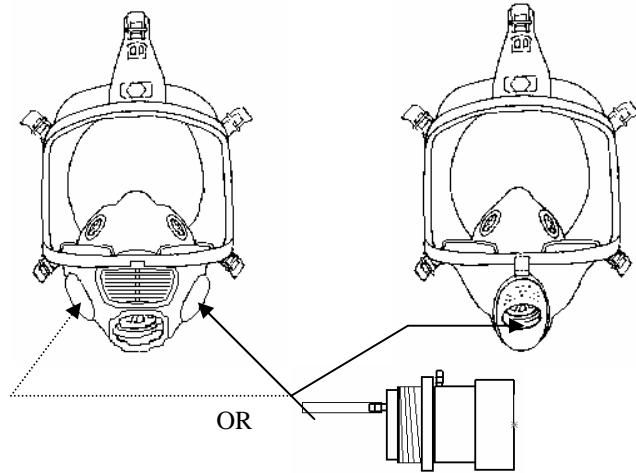




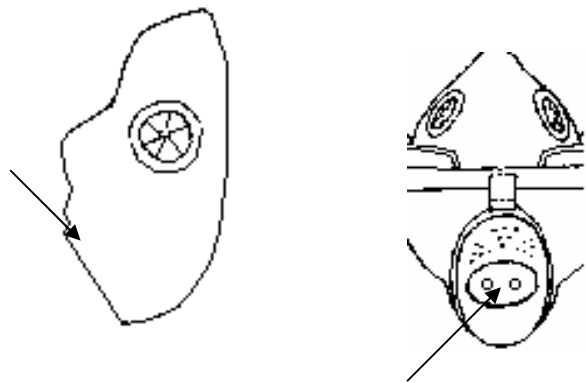
User Instructions – SEA Full Face Fit Test Adapter – FTA1

1. (a) Thread the small tube through the inhalation valve, (b) followed by an entrance hole to the inner mask.

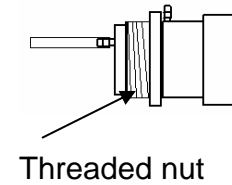
(a)



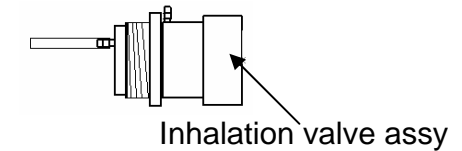
(b)



2. Tighten the threaded nut into the inhalation valve assembly until finger tight.



3. Screw the filter into the inhalation valve assembly of the fit test adapter body.



4. On the peg, attach the Portaccount's downstream (or mask) tube.

